

ESSEX
PROPERTY TRUST, INC.

2018
BULL PRODUCT INFORMATION GUIDE
& TUUCI PRICING



exclusive partner for Bull and Tuuci





What you should know about Bull Outdoor Products.

Bull Outdoor Products Inc. is celebrating our twentieth anniversary of manufacturing barbecue islands, grill heads, grill carts, components and accessories. Since our conception the business has grown and reached widespread prominence in the grilling industry. Bull Outdoor Products Inc. pioneered the concept of outdoor kitchens. We now have over 900 dealers and distributors throughout the United States, Canada and Europe.

We are committed to providing our customers with premium products manufactured with the highest quality materials, and features at a value price.

Quality and Experience – We are a multimillion – dollar company that is single minded and focused on the BBQ Industry. We have the capacity to build over 30 Islands a day in two US facilities. Our Outdoor Kitchen designs are time tested and built from materials that last. Our grills are made with 304, 14 -gauge stainless steel. Bull is so confident in its fabulous line-up of premium outdoor grills that Lifetime Warranties* come standard on all fire boxes, cooking grates and on all cast stainless steel burners.



Our AWARD WINNING GRILLS are designed, engineered and master crafted to meet CSA, SA, and CE certifications. These certifications confirm our claim that our grills are professional grade cooking units. Our customers can grill with confidence like professional chefs around the world.

Value – Our grills and outdoor kitchen accessories are loaded with features that you might expect to pay double for in competitive products. Piezo Igniters, Cast Stainless Steel Burners and lights are just a few of the features we offer as standard on some of our best sellers.

Reliability and Service – We are committed to servicing our dealers and their customers. We back this commitment with a complete parts list and the in-house knowledge to keep our customers happy. We handle our warranty work with a focus and commitment to fairness and quick response.

E-mail us today to find a Bull Outdoor Products dealer or to apply for a dealership in your area.



Outdoor Kitchens



Grill Heads



Grill Carts



Components



Accessories



Fire Features



BULL Delivery Protocol



Bull direct order product is shipped direct from the Bull to your site. The pictures above are samples of how they *will arrive* to your site. You will need to arrange to have the storage for these on the date of delivery. TerraFirma will provide you with a shipping delivery window as provided from Bull BBQ. We are the middle man and in no control of the timeline of production from the manufacturer nor the date of delivery. We will do our best to provide you with an ETA for delivery, and then once shipped we will provide you with the window in which your product will be delivered. It is your responsibility to receive and accept delivery, along with storage for these units. By placing an order for these units with TerraFirma you are agreeing to your knowledge of these policies.



Essex Bull Ordering CHECK LIST:

Prior to placing your Bull order please use the following check list to make sure that your order is accurate and that the proper equipment, delivery and installation is what you are looking for...

- If you are ordering an island for NON TerraFirma Installation, please be aware of the BULL Delivery Protocol. These are packaged in VERY large crates and standard delivery is curbside. Some units are in multiple crates and you will need to be aware of this for storage and mobility purposes. Please note that there is a WHITE GLOVE delivery option available and they will remove crate and place item in location to be installed, they DO NOT install. TerraFirma is NOT responsible for meeting local ADA requirements for your city. Each locality is different.

- If you are ordering a grill head for NON TerraFirma installation, please ask for cut sheet and size information to be certain that the grill head replacement will fit in the existing grill space. Some grill depths are not similar to the existing cut from another brand grill head and you will need to allow for retrofitting new grill.

- If you are ordering a grill head for TerraFirma installation, please contact Susie Byers at 909-742-9058 or via email at susie@terrafirmaland.com. If you are ordering in our installation areas (Bay Area, SoCal, Seattle area) we will send someone out to measure. We can quote install price, and make sure you get a grill that will work in your space. More often than not you will need to allow for retrofit costs and fillers, and there is an extra cost to secure the grills. These grill heads are meant to slide in and out of place, however most prefer then to be secured to the island.

- Complete the included BULL ESSEX ORDER FORM and email to susie@terrafirmaland.com

- If you have any questions while filling out this form, please contact Susie Byers at 909-742-9058 or via email at susie@terrafirmaland.com

- Please note when ordering a fire table or fire pit Essex requires a glass screen for these items. TerraFirma will price these glass enclosures for your order and send you a quote PRIOR to placing your order.

2018 BBQ Island Essex Pricing

ISLAND MODEL (circle one)

Master Q



rock \$3395/stucco \$3000

Power Q



rock \$4698/stucco \$4191

Patio Q



stucco only \$3560 (incl. upgraded Angus Grill)

STUCCO SELECTION (circle one)

Aspin



Cream



Blue Gray



Mesa Tan



ROCK BASE SELECTION (circle one)

Dakota Brown



Grey



Montreal



Golden Harvest



TILE SELECTION (circle one)

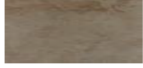
Bombay Satara



Bombay Modasa



Bombay Kalvi



Explorer Milan



GRANITE SELECTION: (circle one)

\$761

Baltic Brown



Giallo



Impala Black



Messina



DISTRESSED PLANKS (circle one)

Master Q/Power Q upgrade \$350.00 (from rock add on)

Patio Q upgrade \$962.00

Hayden 35



Mist 34



CONNECTION (circle one)

Natural Gas

Liquid Propane

COUNTER SIZE (circle one)

Master Q 31" or 43"

Power Q 31" or 43"

Special order requests:

Warranty provide direct through BULL BBQ;
TF is only the supplier and responsible for
workmanship of install if applicable

Please email your completed build sheet to
susie@terrafirmaland.com
or call with any questions 909-742-9058

**shipping and handling not included*



Grill Heads & Carts

ANGUS GRILL HEAD



BULL GRILL HEAD COLLECTION

Standard Features	BISON	STEER	OUTLAW	RENEGADE	LOWESTAR	ANGUS	BRAHMA	7 BURNER
Baking Power: BTUs	Charcoal	45,000	50,000	75,000	50,000	75,000	90,000	105,000
Burners	0	3 - Welded Stainless Steel Bar Burners	4 - Cast Iron Porcelain Coated Bar Burners	5 - Cast Iron Porcelain Coated Bar Burners	4 - Welded Stainless Steel Bar Burners	4 - Cast Stainless Steel Burners	5 - Cast Stainless Steel Burners	6 - Cast Stainless Steel Burners
Infrared Back Burner						+	+	+
Single Five Dual Lided Front	+	+	+	+	+	+	+	+
Probe Lighter		+	+	+	+	+	+	+
Zinc Works		+	+	+	+	+	+	+
304 Stainless Steel Grates	+	+	+	+	+	+	+	+
Warm Up Thermometer	+	+	+	+	+	+	+	+
Warning Back	+	+	+	+	+	+	+	+
Propane Hood Protective Mesh						+	+	+
Two Lighting System					+	+	+	+
Propane Side Burner								+
ESB Control		+	+	+	+	+	+	+
Total Cooking Surface: Sq. Ft.	8.0	8.5	9.0	10.0	9.0	9.0	10.0	10.0



800-521-2855 BULLBBQ.COM



The Broad Choice for Commercial and Professional BBQs. | ©2017 Bull Outdoor Products, Inc. All Rights Reserved.



Angus

Commercial/Residential Lifetime Warranty on Burners, Fire Box and Grates



Features

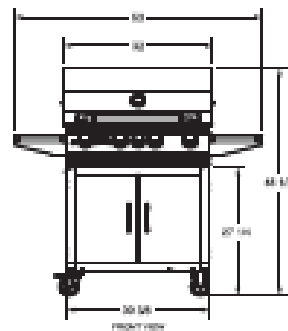
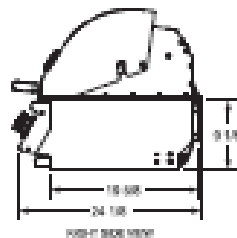
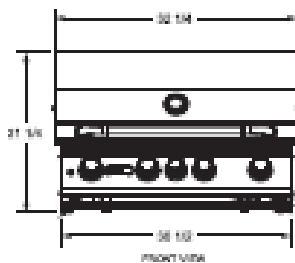
- 304, 14 Gauge Stainless Steel Construction
- 4 Cast Stainless Steel Burners
- Stainless Steel Flame Tamers
- Grease Tray
- Heavy Duty Thermometer
- Dual Lined Hood w/ Warming Rack
- Piezo Igniters on each valve
- Interior Twin Lighting system
- Rotisserie Rotisserie Burner
- Zinc Control Knobs
- CSA Approved

- 2 Side Shelves
- Heavy Duty Casters

Fixed Carton Size: 28 1/2" W x 24 1/2" H x 34 1/2" L — Weight : 100 lbs.
Cart Bottom: 22 1/2" W x 32 1/2" H x 35 1/2" L — Weight : 87 lbs.

Model #M4000 (LP) & Model #M4001 (NG)

Model #47528 (LP) Model #47529 (NG)



800-521-2855 BULLBBQ.COM



The Brand Choice for Commercial and Professional BBQs. | ©2017 Bull Outdoor Products, Inc. All Rights Reserved.



Brahma

Commercial/Residential Lifetime Warranty on Burners, Fire Box and Grates



Features

- 304, 14 Gauge Stainless Steel Construction
- 5 Cast Stainless Steel Burners
- Stainless Steel Flame Tamers
- Grease Tray
- Heavy Duty Thermometer
- Dual Lined Hood w/ Warming Rack
- Piezo Igniters on each valve
- Interior Twin Lighting system
- Infrared Back Burner w/ Rotisserie
- Zinc Control Knobs
- CSA Approved

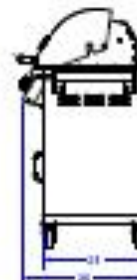
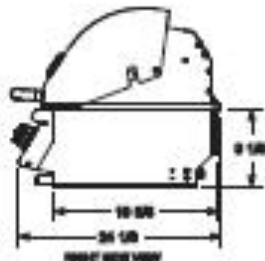
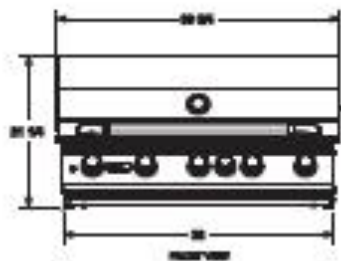
Model #57568 (LP) Model #57569 (NG)



- 2 Side Shelves
- Heavy Duty Casters

Hood Carton Size: 27" W x 24" H x 42" L — Weight: 183 lbs.
Cart Bottom Size: 34" W x 32 1/2" H x 43" L — Weight: 98 lbs.

Model #55000 (LP) & Model #55001 (NG)



800-521-2855 BULLBBQ.COM



The Brand Choice for Commercial and Professional BBQs. | ©2017 Bull Outdoor Products, Inc. All Rights Reserved.



PIZZA OVENS



SMALL PIZZA ISLAND

Shown with Stucco Rock

Includes Large Pizza Oven

PART # 31113

Features:

- *100% Made in Italy
- *Steel and 441 Stainless Steel Construction
- *Solid weld construction
- *Rock Based Insulation which will not break down
- *Food Grade Cooking Stones
- *10-15 Min Preheat Time
- *Easy Setup
- *Movable

PIZZA TOOLS



Professional Kit: 66035 | Homeowner Kit: 66038



LARGE PIZZA OVEN

Available with and without cart base

PART # 66025

PART # 66024

EXTRA LARGE PIZZA OVEN

Available with and without cart base

PART # 66042

PART # 66040



800-521-2855 BULLBBQ.COM



The Brand Choice for Commercial and Professional BBQs. | ©2017 Bull Outdoor Products, Inc. All Rights Reserved.



Islands

Small Pizza Q Island

Standard Features

- *Small Pizza Oven * Stainless Steel Access Door*
- *Porcelain Tile Counter * Stucco Base Finish*
- *Wood Storage Cutout w/ Tile Finish * Double Drawer*



Item #31113 Stucco
NOT Available in Rock

Optional Upgrades

- *XL Pizza Oven*
- *Stucco-Rock Base*
- *Granite Counters*

Island show with stucco
rock upgrade

****Note: Islands shown may have upgrades. Island size may vary & extension fees may apply depending on components added to select islands.****



800-521-2855 BULLBBQ.COM



The Brand Choice for Commercial and Professional BBQs. | ©2017 Bull Outdoor Products, Inc. All Rights Reserved.



Islands

Master-Q

Item # 31004 Stucco

Item # 31005 Rock

Standard Features

- Angus 4 Burner Grill
- Stucco Base
- Porcelain Tile Counter
- Horizontal S/S Access Door
- GFCI Outlet
- Available in 31" or 43" top



Little-Q

Item # 31046 Stucco

NOT Available in Rock

Standard Features

- Angus 4 Burner Grill
- Stucco Base
- Porcelain Tile Counter
- Stainless Steel Refrigerator
- Horizontal S/S Access Door
- GFCI Outlet



Patio-Q

Item # 31086 Stucco

NOT Available in Rock

Standard Features

- Outlaw 4 Burner Grill
- Stucco Base
- Porcelain Tile Counter
- Vertical Access Door
- GFCI Outlet



****Note: Islands shown may have upgrades. Island size may vary & extension fees may apply depending on components added to select islands.****



800-521-2855 BULLBBQ.COM



The Brand Choice for Commercial and Professional BBQs. | ©2017 Bull Outdoor Products, Inc. All Rights Reserved.



Islands

Power BBQ

Item # 31008 Stucco

Item # 31009 Rock

Standard Features

- Angus 4 Burner Grill
- Stucco Base
- Porcelain Tile Counter
- Stainless Steel Refrigerator
- Horizontal S/S Access Door
- GFCI Outlet



Power-Q Raised Back Bar

Item # 31012 Stucco

Item # 31013 Rock

Standard Features

- Angus 4 Burner Grill
- Stucco Base
- Porcelain Tile Counter
- Stainless Steel Refrigerator
- Horizontal S/S Access Door
- GFCI Outlet



Outdoor Kitchen

Item # 31010 Stucco

Item # 31011 Rock

Standard Features

- Angus 4 Burner Grill
- Stucco Base
- Porcelain Tile Counter
- Stainless Steel Sink
- Stainless Steel Refrigerator
- Horizontal S/S Access Door
- GFCI Outlet
- Available in 31" or 43" top



****Note: Islands shown may have upgrades. Island size may vary & extension fees may apply depending on components added to select islands.****



800-521-2855 BULLBBQ.COM



The Brand Choice for Commercial and Professional BBQs. | ©2017 Bull Outdoor Products, Inc. All Rights Reserved.



Islands

Power-Q

Standard Features

- Angus 4 Burner Grill
- Stucco Base - Tile Counter available in 31" or 43"
- Stainless Steel Refrigerator
- Horizontal S/S Access Door



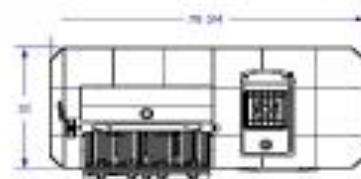
Item # 31006Stucco
Item # 31007Rock

Island shown using:
Outlaw Grill
Refrigerator

Upgrades:
Stucco Rock Base
Double Doors

Optional Upgrades

- Brahma 5 Burner Grill
- Door/Drawer Combo
- Double Sideburner
- Granite Counters
- Single Side Burner
- Chopping Block
- AM/FM CD Player w/Speakers
- MP3 Docking Station
- GFCI Outlet
- Double Door
- Rock Base
- Stucco Rock Base
- Umbrella
- Bottle Opener
- Outdoor Rated Refrigerator



TOP VIEW



****Note: Islands shown may have upgrades. Island size may vary & extension fees may apply depending on components added to select islands.****



800-521-2855 BULLBBQ.COM



The Brand Choice for Commercial and Professional BBQs. | ©2017 Bull Outdoor Products, Inc. All Rights Reserved.



Islands

Octi-Q

Item # 31016 Stucco

Item # 31017 Rock

Standard Features

- Angus 4 Burner Grill
- Stucco Base
- Porcelain Tile Counter
- Horizontal S/S Access Door
- GFCI Outlet
- Stainless Steel Refrigerator



JR Gourmet-Q

Item # 31022 Stucco

Item # 31023 Rock

Standard Features

- Angus 4 Burner Grill
- Stucco Base
- Porcelain Tile Counter
- Horizontal S/S Access Door
- GFCI Outlet
- Stainless Steel Refrigerator



Gourmet-Q Raised Bar

Item # 31119 Stucco

Item # 31120 Rock

Standard Features

- Angus 4 Burner Grill
- Stucco Base
- Porcelain Tile Counter
- GFCI Outlet
- (2) Horizontal S/S Access Doors
- Stainless Steel Refrigerator
- Stainless steel sink & faucet



****Note: Islands shown may have upgrades. Island size may vary & extension fees may apply depending on components added to select islands.****



800-521-2855 BULLBBQ.COM



The Brand Choice for Commercial and Professional BBQs. | ©2017 Bull Outdoor Products, Inc. All Rights Reserved.



Islands

Gourmet - Q

Standard Features

- *Angus 4 Burner Grill - Stucco Base*
- *Tile Counter - Stainless Steel Refrigerator*
- *Stainless Steel Sink and Faucet - (2)Horizontal S/S Access Door*
- *GFCI Outlet*



Optional Upgrades

- *Brahma Grill*
- *Rock Base*
- *Stucco-Rock Base*
- *Granite Counters*
- *Single Side burner*
- *Chopping Block*
- *Stainless Steel Utility Drawer*
- *AM/FM CD Player w/Speakers*
- *MP3 Docking Station*
- *Drop-In Ice Chest*
- *GFCI Outlet*
- *Double Door*
- *Double Drawer*
- *Door/Drawer Combo*
- *Double Side Burner*
- *Umbrella*
- *Bottle Opener*
- *Outdoor Rated Fridge*

Island shown using
Angus Grill
Refrigerator

Upgrades:
Rock
Double Door
Door/Drawer Combo
Ice Chest
Umbrella
Single Sideburner

****Note: Islands shown may have upgrades. Island size may vary & extension fees may apply depending on components added to select islands.****



800-521-2855 BULLBBQ.COM



The Best Choice for Commercial and Professional BBQs. | ©2017 Bull Outdoor Products, Inc. All Rights Reserved.



Fire Pits

Angled Rectangular Fire Pit

sku# 31115

Features

- Stainless steel "H" burner
- Your choice of fire glass or river rock
- Includes temp controls &
- Stainless steel access door.



Angled Square Fire Pit

sku# 31125

Features

- Round stainless steel burner
- Provides quality heating
- Your choice of fire glass or River rock
- Includes temp controls and Stainless steel access door



Angled Square Fire Table

sku# 31049

Features

- 15,000 – 20,000 BTU Burner
- Stucco Base
- Porcelain Tile Top
- Vertical Door Available
- NG or LP



Optional Upgrades:

- Granite 12"x12" Tile Top
- Stucco-Rock Base
- Rock Base

****Note: Fire Pits shown may have upgrades.****



800-521-2855 BULLBBQ.COM



The Brand Choice for Commercial and Professional BBQs. | ©2017 Bull Outdoor Products, Inc. All Rights Reserved.



Fire Pits

Square Fire Pit

sku# 31034

Features

- 35,000 BTU Burner
- Accommodates 5 Gallon Propane Tank
- Single Horizontal Door
- Standard Stucco Base
- Standard Tile Top
- Available in either Natural Gas or Propane



Hexagon Fire Pit

sku# 31035

Features

- 35,000 BTU Burner
- Accommodates 5 Gallon Propane Tank
- Single Horizontal Door
- Standard Stucco Base
- Standard Tile Top
- Available in either Natural Gas or Propane



Rectangular Fire Pit

Sku# 31044

Features

- 35,000 BTU Burner
- Accommodates 5 Gallon Propane Tank
- Single Horizontal Door
- Standard Stucco Base
- Standard Tile Top
- Available in either Natural Gas or Propane



Optional Upgrades:

- Granite 12" x 12" Tile Top
- Stucco-Rock Base
- Rock Base

Note: Fire Pits shown may have upgrades.



800-521-2855 BULLBBQ.COM



The Brand Choice for Commercial and Professional BBQs. | ©2017 Bull Outdoor Products, Inc. All Rights Reserved.

Rectangular Fire Table



The Rectangular Fire Table has a built-in temperature control and igniter. The longer deeper design provides seating for up to 6 adults in your outdoor space.

Standard Features

- *Seats up to 6 adults
- *Works as a fire pit and table
- *Stainless steel "H" BU heat
- *Your choice of fire glass or River Rock
- *Includes temperature controls & access door

Square Fire Table



The Fire Table incorporates a fire pit with counter space to provide seating for friends and family to enjoy the warmth with food and drinks. This table will become the center of your backyard entertainment and can be placed anywhere in your yard or patio.

Standard Features

- *35,000 BTU's
- *Stucco Base
- *Porcelain Tile Top
- *Available in Natural Gas or Propane

Wood Burning Fireplace



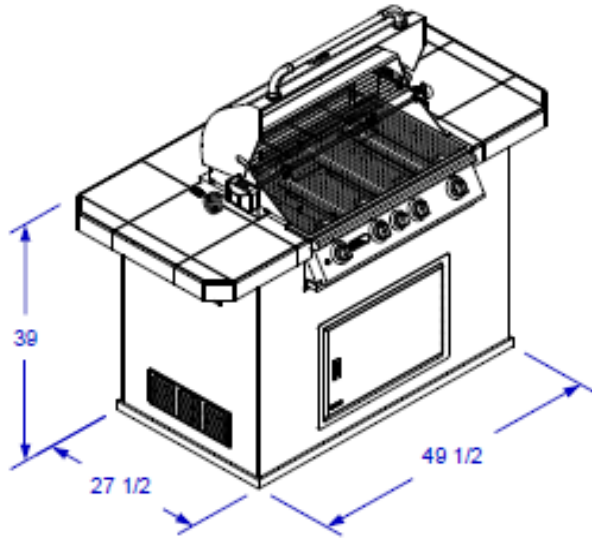
The Wood Burning Fire Place burns real wood, is outdoor rated and vented for the best experience, and will make your backyard into the ultimate entertainment center.

Standard Features

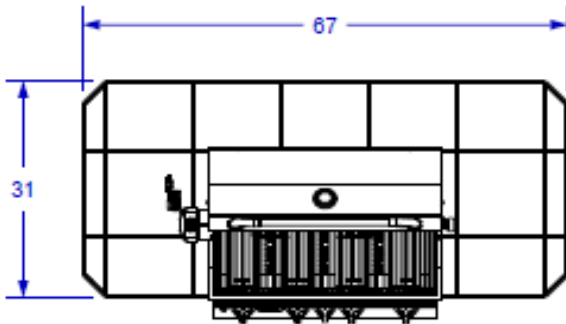
- *Outdoor rated and vented
- *Burns real wood
- *Includes Hearth Stones & Firebox trim
- *Rock Stucco finish
- *Log rack included



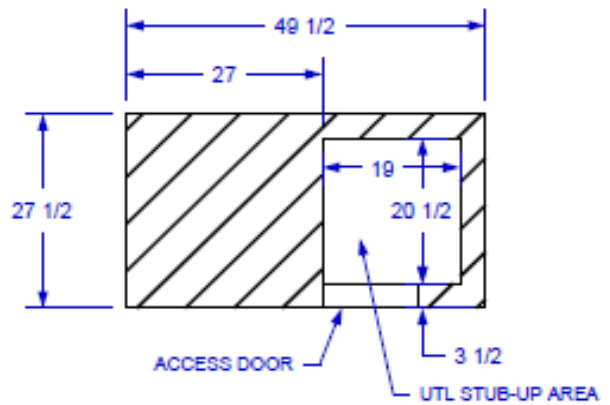
MASTER Q ISLAND
W/ 31" TOP
SPEC SHEET



ISOMETRIC VIEW



TOP VIEW



STUB-UP DIAGRAM
 (SEE NOTE #2)

NOTES:

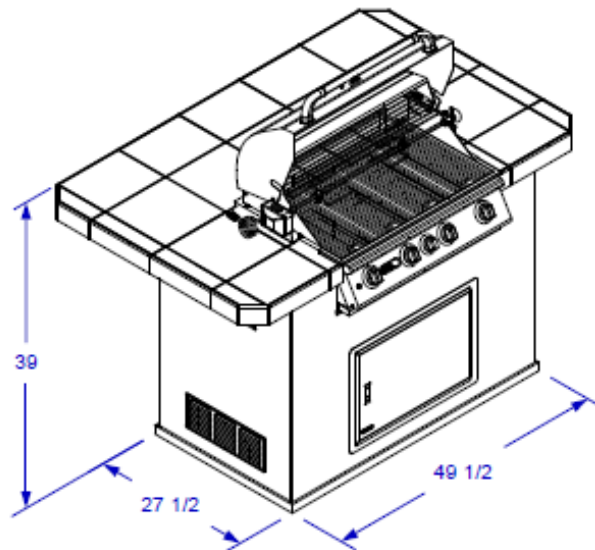
1. FOR ROCK FINISHES, ADD 1 1/2" ON ALL BASE SIDES.
2. 6" MAX HEIGHT ON ALL STUB-UPS.
3. SHOWN WITH STANDARD 4-BURNER ANGUS GRILL.
4. SCALE: 1/2" = 1'-0"
5. REVISION: 01/2015



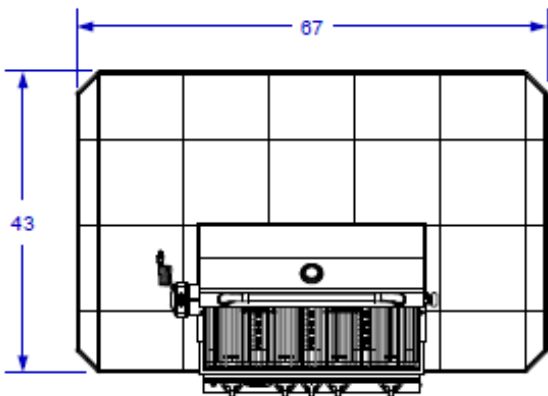
MASTER Q ISLAND

W/ 43" TOP

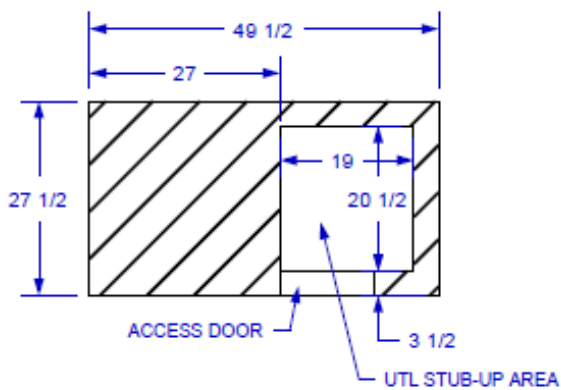
SPEC SHEET



ISOMETRIC VIEW



TOP VIEW



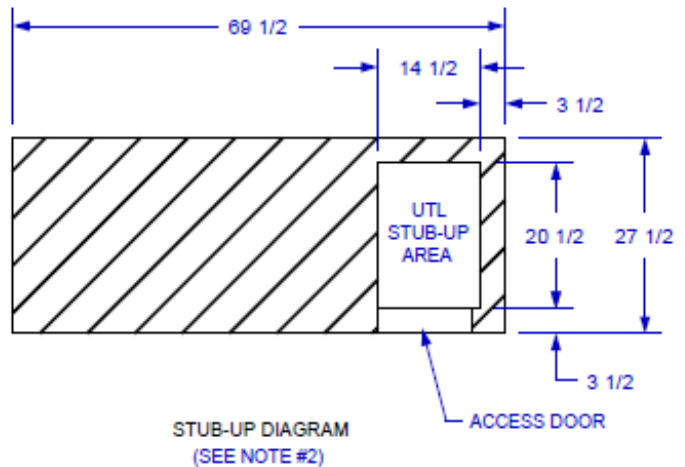
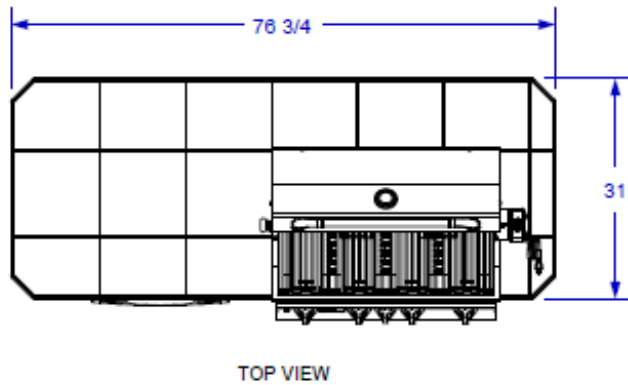
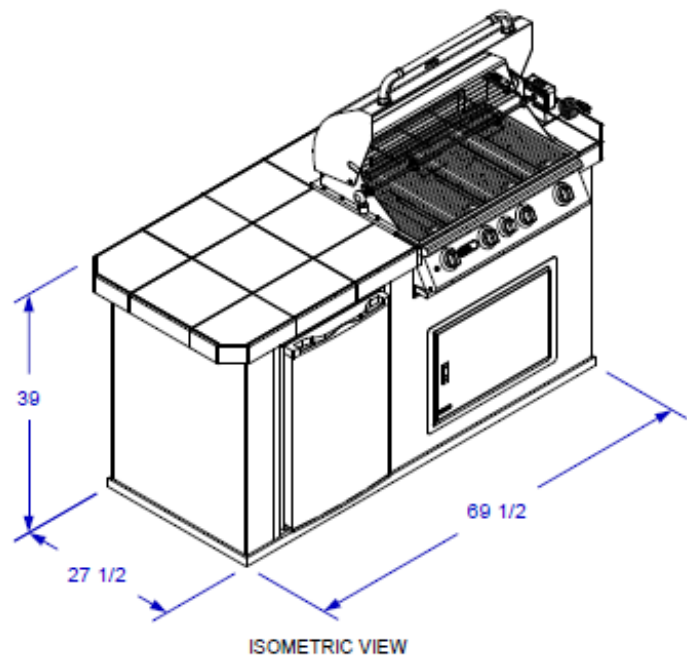
STUB-UP DIAGRAM
(SEE NOTE #2)

NOTES:

1. FOR ROCK FINISHES, ADD 1 1/2" ON ALL BASE SIDES.
2. 6" MAX HEIGHT ON ALL STUB-UPS.
3. SHOWN WITH STANDARD 4-BURNER ANGUS GRILL.
4. SCALE: 1/2" = 1'-0"
5. REVISION: 01/2015



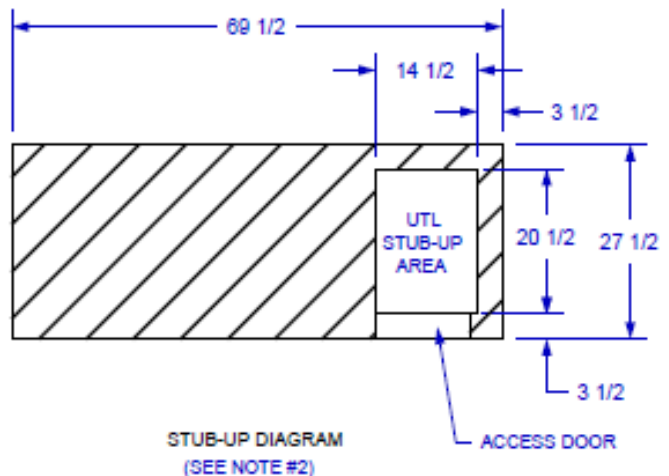
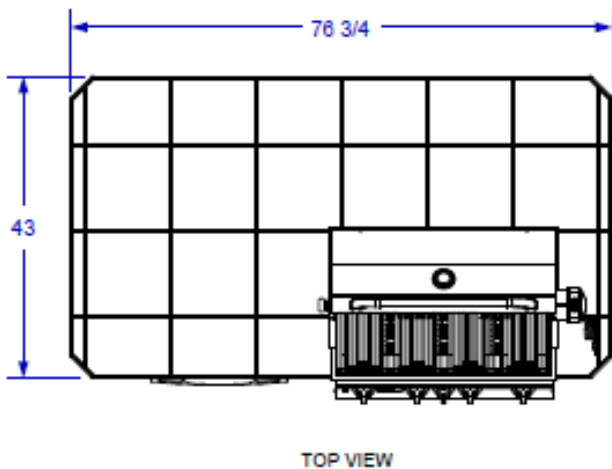
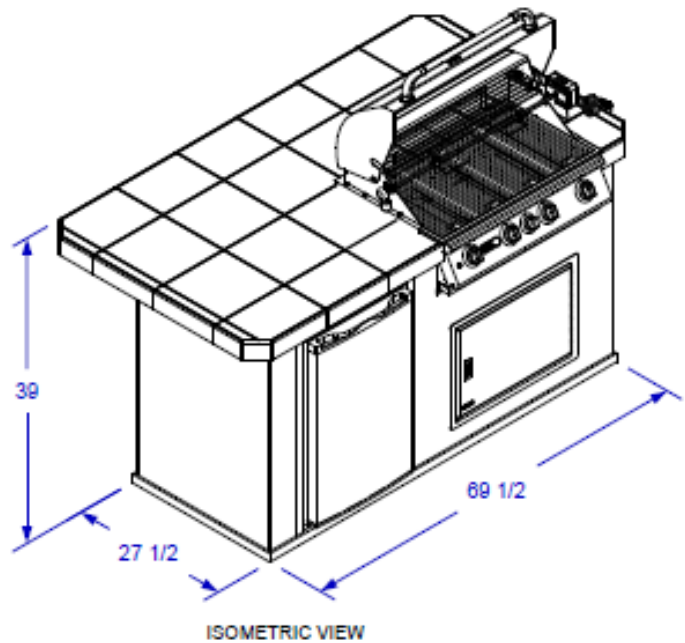
REVERSED POWER Q
ISLAND W/31" TOP &
ANGUS GRILL
SPEC SHEET



- NOTES:
1. FOR ROCK FINISHES, ADD 1 1/2" ON ALL BASE SIDES.
 2. 6" MAX HEIGHT ON ALL STUB-UPS.
 3. SHOWN WITH STANDARD 4-BURNER ANGUS GRILL.
 4. SCALE: 1/2" = 1'-0"
 5. REVISION: 01/2015



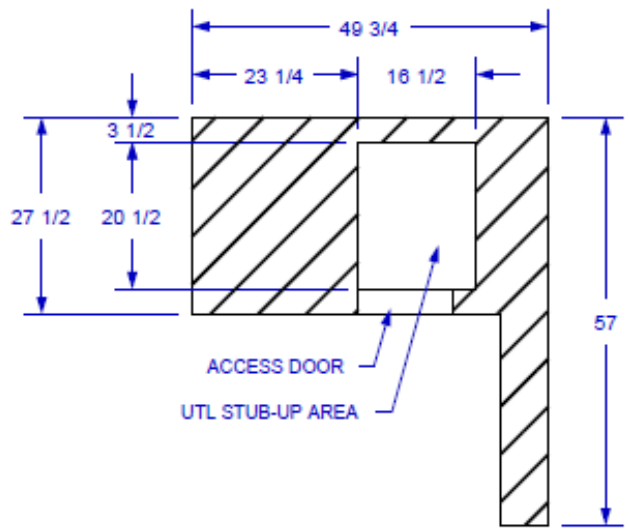
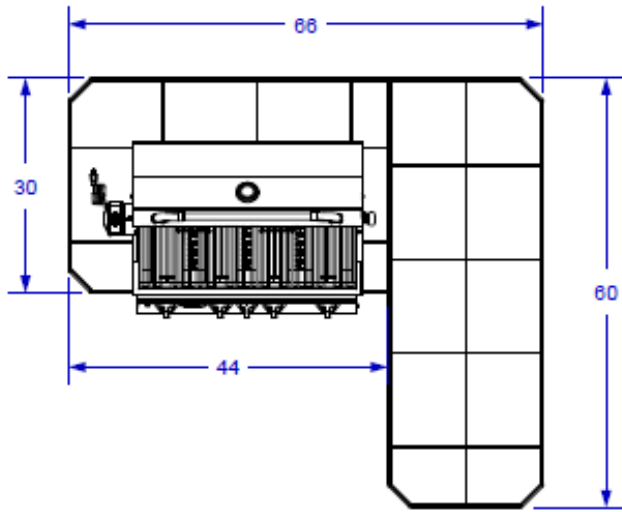
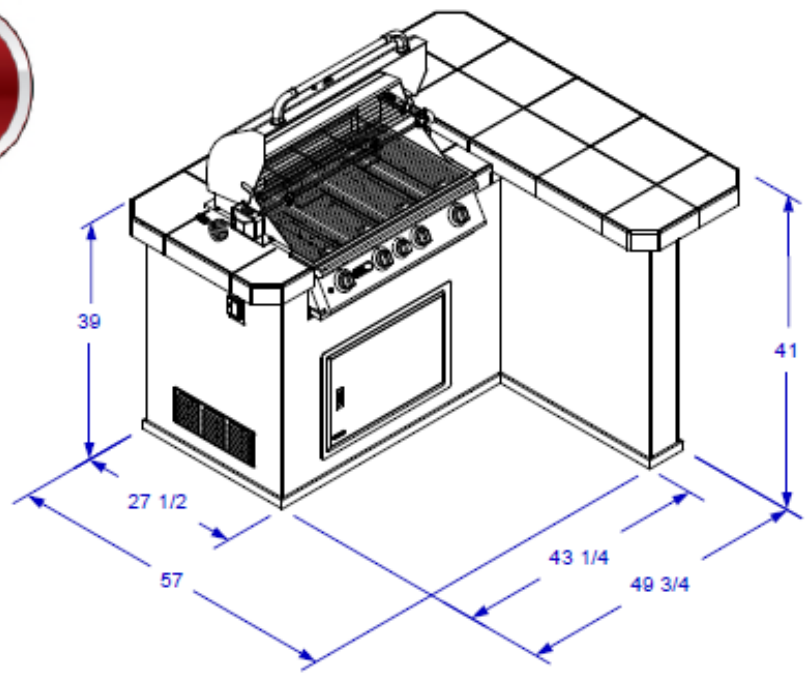
REVERSED POWER Q
ISLAND W/43" TOP &
ANGUS GRILL
SPEC SHEET



- NOTES:
1. FOR ROCK FINISHES, ADD 1 1/2" ON ALL BASE SIDES.
 2. 6" MAX HEIGHT ON ALL STUB-UPS.
 3. SHOWN WITH STANDARD 4-BURNER ANGUS GRILL.
 4. SCALE: 1/2" = 1'-0"
 5. REVISION: 01/2015



PATIO & ISLAND
SPEC SHEET



NOTES:

1. 6" MAX HEIGHT ON ALL STUB-UPS.
2. SHOWN WITH STANDARD 4-BURNER ANGLIS GRILL.
3. SCALE: 1/2" = 1'-0"
4. REVISION: 12/2014

TerraFirma Land Development is a proud direct supplier of the Tuuci parasol collection



We offer special Essex pricing on ALL Tuuci products**...here are a few of our top Essex sellers

bay master classic



Essex Price **5.5'**: \$696.50

Essex Price **8.5'**: \$938.00

(not including tax and freight)

The Bay Master parasol with marine-grade aluminum struts is our most durable promotional parasol collection. Intended for most commercial settings, this parasol features an extremely durable and rigid aluminum strut system. Proven in high traffic areas, ocean-front installations and exposed street-side locations, the Bay Master Classic is guaranteed to endure most types of weather conditions.

ocean master MAX 8' dual cantilever



Essex Price: \$8,596.00 (not including tax and freight)

TUUCI's ocean master MAX dual cantilever is art and engineering harmonizing in a symphony of shade. This exquisite double umbrella provides a generously proportioned luxurious shade allowing for two unique outdoor living areas beneath one umbrella unit – uninterrupted shade at its finest. Featuring a 4:1 tandem-retrieving crank system, the Dual Cantilever is simple to operate. The solo crank of this side post umbrella gently glides open both shades, offering a clear passage and uninterrupted ambiance. This dual cantilever is designed with an ultra-strong aluminum milled fulcrum and automatic telescoping mast to allow the canopy to close effortlessly over tables and chairs.

To order call Susie Byers @ 909-742-9058 or email susie@terrafirmaland.com

**to view other available products please visit www.tuuci.com

2018 BBQ Island Essex Pricing

ISLAND MODEL (circle one)



rock \$3395/stucco \$3000



rock \$4698/stucco \$4191



stucco only \$3560 (incl. upgraded Angus Grill)

STUCCO SELECTION (circle one)

Aspin



Cream



Blue Gray



Mesa Tan

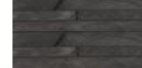


ROCK BASE SELECTION (circle one)

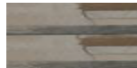
Dakota Brown



Grey



Montreal



Golden Harvest



TILE SELECTION (circle one)

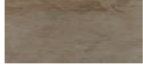
Bombay Satara



Bombay Modasa



Bombay Kalvi



Explorer Milan



GRANITE SELECTION: (circle one)

\$761

Baltic Brown



Giallo



Impala Black



Messina



DISTRESSED PLANKS (circle one)

Master Q/Power Q upgrade \$350.00 (from rock add on)

Patio Q upgrade \$962.00

Hayden 35



Mist 34



CONNECTION (circle one)

Natural Gas

Liquid Propane

COUNTER SIZE (circle one)

Master Q 31" or 43"

Power Q 31" or 43"

Special order requests:

Warranty provide direct through BULL BBQ;
TF is only the supplier and responsible for
workmanship of install if applicable

Please email your completed build sheet to
susie@terrafirmaland.com
or call with any questions 909-742-9058

**shipping and handling not included*

Additional spec sheets and product information available by request.

For custom orders, order form or pricing requests please contact
Susie Byers

Email: susie@terrafirmaland.com

Direct: 909-742-9058

